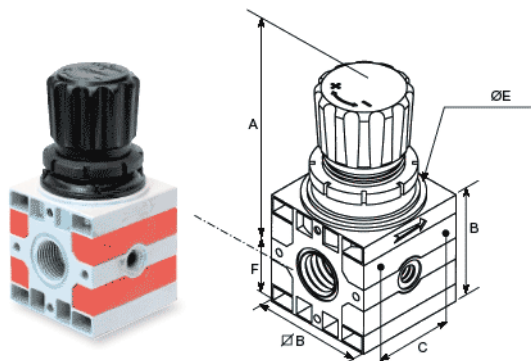


FRL GROUPS

SERIES AS

RANGE

REGULATOR



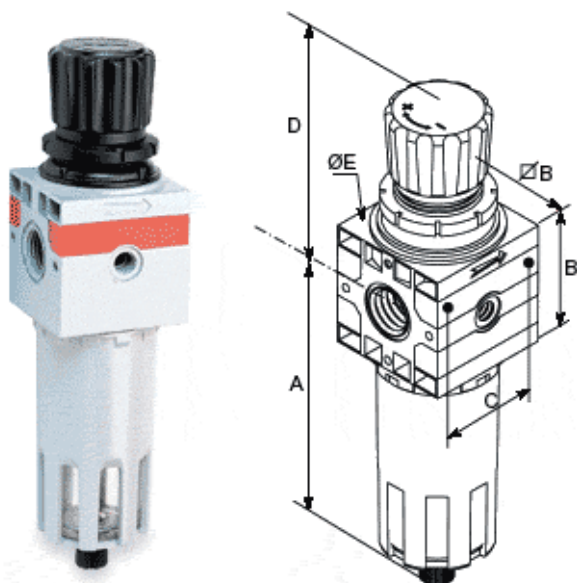
TECHNICAL FEATURES

Dimensions			
	AS R4	AS R2	AS R1
A	64	78	129
B	42	60	80
C	32	46	66
E	30x1,5	38x2	55x2
F	21	30	40

TECHNICAL DATA

Model	AS R4	AS R2	AS R1
Ports	G 1/4"	G 1/2"	G 1"
Flow rate at 6 bar (NI/min)	700	2.600	4.600
Adjusting range (bar)	0,7 ± 12	0,7 ± 12	0,7 ± 12
Weight (kg)	0,3	0,8	2,2
Gauge connection	1/8"	1/4"	1/4"
Screws for wall fixing	M4x40	M4x50	M6x75
Max input pressure	12 bar		

FILTER REGULATOR



TECHNICAL FEATURES

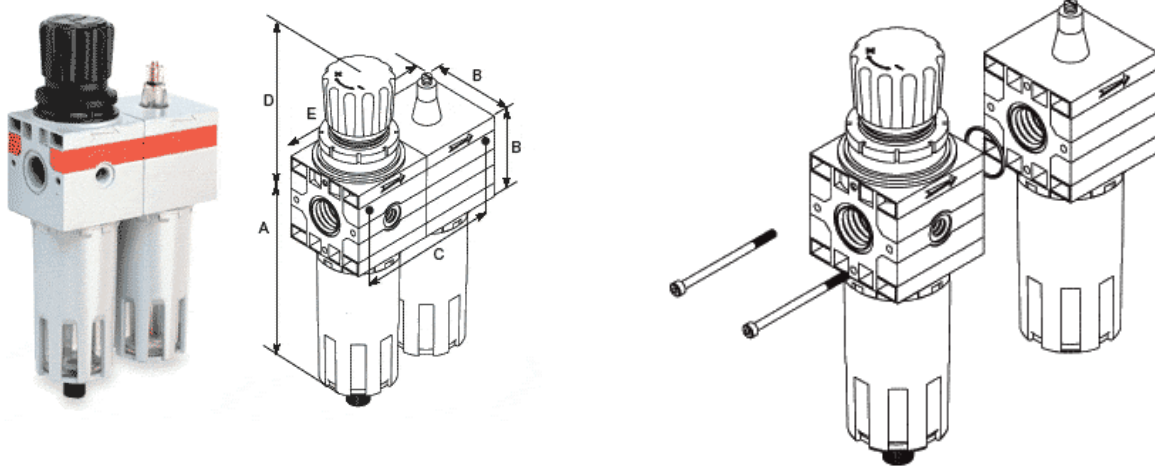
Dimensions			
	AS FR4	AS FR2	AS FR1
A	117	149	195
B	42	60	80
C	32	46	66
D	64	78	129
E	30x1,5	38x2	55x2

TECHNICAL DATA

Model	ASFR 4	ASFR 2	ASFR 1
Ports	G 1/4"	G 1/2"	G 1"
Flow rate at 6 bar (NI/min)	700	2600	4600
Filter element (μm)	20	32	32
Adjusting range (bar)	0,7 \pm 12	0,7 \pm 12	0,7 \pm 12
Weight (kg)	0,35	0,9	2,5
Gauge connection	1/8"	1/8"	1/4"
Screws for wall fixing	M4x40	M4x50	M6x75
Max input pressure	12 bar		

FILTER REGULATOR + LUBRICATOR

ASSEMBLY PROCEDURE



TECHNICAL FEATURES

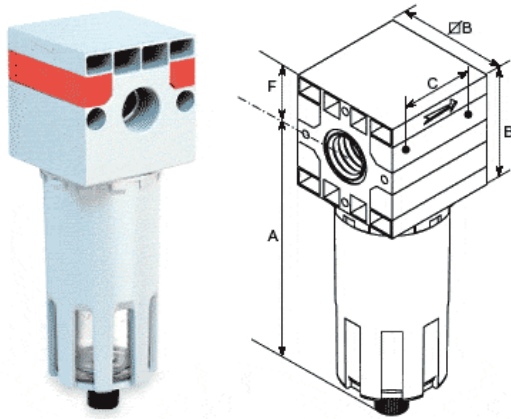
	Dimensions		
	FL4	FL2	FL1
A	117	149	195
B	42	60	80
C	76	109	146
D	64	78	129
E	84	120	160

TECHNICAL DATA

Model	AS FL4	AS FL2	AS FL1
Ports	G 1/4"	G 1/2"	G 1"
Flow rate at 6 bar (NI/min)	600	2250	4300
Adjusting range (bar)	0,7 \pm 12	0,7 \pm 12	0,7 \pm 12
Weight (kg)	0,9	2	4
Gauge connection	1/8"	1/8"	1/4"
Filter element (μm)	20	32	32
Max input pressure	12 bar		
Max temperature at 10 bar	+50°C a 10 bar		



FILTER



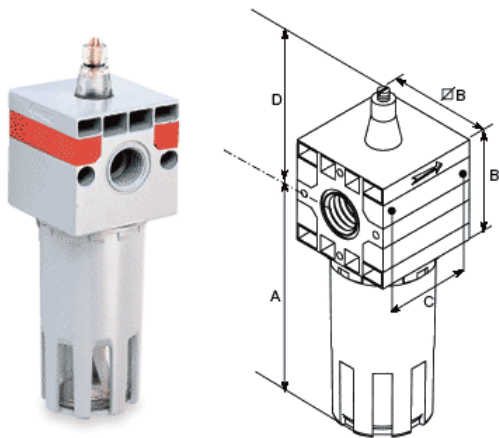
TECHNICAL FEATURES

Dimensions			
	AS F4	AS F2	AS F1
A	117	149	195
B	42	60	80
C	32	46	66
F	21	30	40

TECHNICAL DATA

Model	AS F4	AS F2	AS F1
Ports	G 1/4"	G 1/2"	G 1"
Flow rate at 6 bar (l/min)	1150	4300	9600
Filter element (μm)	20	32	32
Weight (kg)	0,4	0,9	1,9
Screws for wall fixing	M4x40	M4x50	M6x75
Max input pressure (bar)	12		

LUBRICATOR



TECHNICAL FEATURES

Dimensions			
	AS L	AS L2	AS L1
A	105	133	185
B	42	60	80
C	32	46	66
D	50	60	85

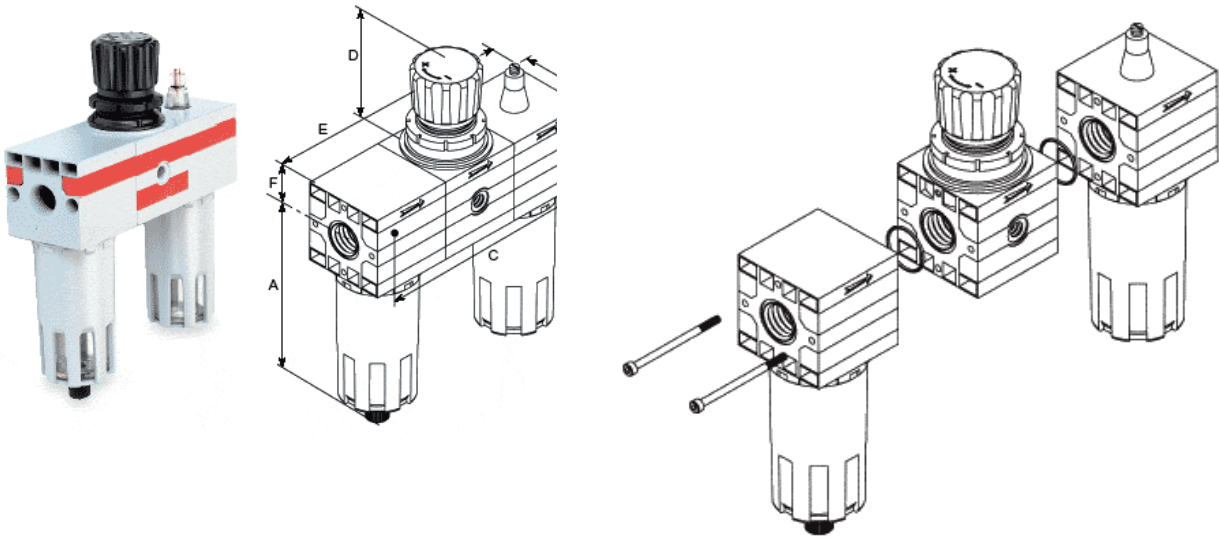
TECHNICAL DATA

Model	AS L4	AS L2	AS L1
Ports	G 1/4"	G 1/2"	G 1"
Flow rate at 6 bar (l/min)	1150	4300	9600
Weight (kg)	0,3	0,7	1,6
Screws for wall fixing	M4x40	M4x50	M4x75
Max input pressure	12 bar		

FILTER + REGULATOR + LUBRICATOR



ASSEMBLY PROCEDURE



TECHNICAL FEATURES

Dimensions			
	FRL 4	FRL 2	FRL 1
A	117	149	195
B	42	60	80
C	116	166	226
D	43	48	89
E	126	180	240
F	21	30	40

TECHNICAL DATA

Model	AS FRL 4	AS FRL 2	AS FRL 1
Ports	G 1/4"	G 1/2"	G 1"
Flow rate at 6 bar (NI/min)	700	2600	4600
Adjusting range (bar)	0,7 - 12	0,7 - 12	0,7 - 12
Weight (kg)	1	2,5	5,8
Gauge connection	1/8"	1/8"	1/4"
Filter element (µm)	20	32	32
Max input pressure (bar)	12		
Max temperature at 10 bar	+ 50°C		

